

IP66 IK10 CLASS II CE

TRIDENT LED

A high powered, exterior LED floodlight with a modern elegant design.

Available with various lens options, it is ideal for lighting facades, gardens, shopping centres, streets, parks and residential areas.

TRIDENT LED

FEATURES & BENEFITS

- > Various lens options
- > Grooved design to facilitate heat dissipation
- > High resistance to chemical and atmospheric agents
- > Surge protection up to 6/8Kv
- > Protective vent system supplied as standard
- > Zero flicker - wildlife friendly
- > Average rated LED life: >80,000hrs (L80/B10)
- > Optimum colour consistency - 3 step MacAdam ellipse tolerance

PERFORMANCE

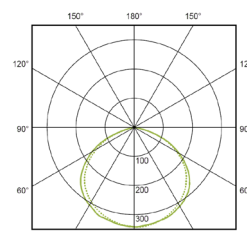
Light source	LED (Samsung)
Distribution	Symmetric / Asymmetric
LED output	5200 - 20,800lm
Luminaire output	4400 - 19,030lm
Luminaire efficiency	≥125lm/W
CRI	>80

MATERIALS

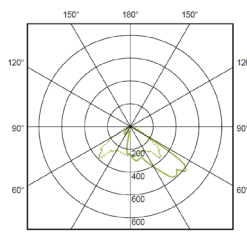
Body	Die-cast aluminium
Finish	Anthracite grey (RAL 7039)
Diffuser	4mm thick tempered clear glass
External fixings	Stainless steel
Mounting	Steel bracket / Pole

OPTIONS

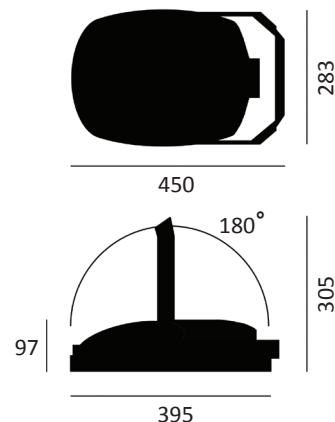
- > Single and twin pole adaptors $\varnothing 40\text{mm}$ / $\varnothing 60\text{mm}$
- > Timed flow reduction
- > Other colour temperatures and optics
- > High temperature version
- > SPD 10Kv
- > Wall bracket
- > Garden spike



Symmetrical: 70W, 4000K



Asymmetrical: 70W, 4000K



TRIDENT LED

NO LENS - FOR INCREASED EFFICIENCY

LAMP	COLOUR TEMP	DELIVERED LUMENS	STANDARD	DALI
35W	4000K	4760lm	71103301	71103303
70W	4000K	9515lm	71103401	71103403
105W	4000K	14275lm	71103501	71103503
140W	4000K	19030lm	71103601	71103603

SYMMETRICAL LENS - IDEAL FOR CYCLE PATHS

LAMP	COLOUR TEMP	DELIVERED LUMENS	STANDARD	DALI
35W	4000K	4400lm	71103701	71103703
70W	4000K	8800lm	71103801	71103803
105W	4000K	13200lm	71103901	71103903
140W	4000K	17600lm	71104001	71104003

ASYMMETRICAL LENS 30° - MULTIPLE CLUSTER IN PMMA ROAD LENS

LAMP	COLOUR TEMP	DELIVERED LUMENS	STANDARD	DALI
35W	4000K	4475lm	71104101	71104103
70W	4000K	8950lm	71104201	71104203
105W	4000K	13420lm	71104301	71104303
140W	4000K	17900lm	71104401	71104403

ASYMMETRICAL LENS 50° - MULTIPLE CLUSTER IN PMMA

LAMP	COLOUR TEMP	DELIVERED LUMENS	STANDARD	DALI
35W	4000K	4560lm	71104501	71104503
70W	4000K	9120lm	71104601	71104603
105W	4000K	13670lm	71104701	71104703
140W	4000K	18235lm	71104801	71104803