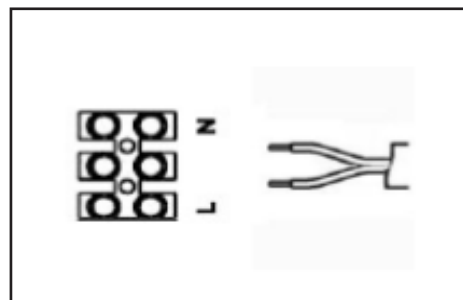
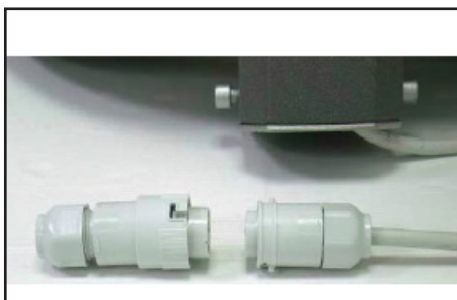
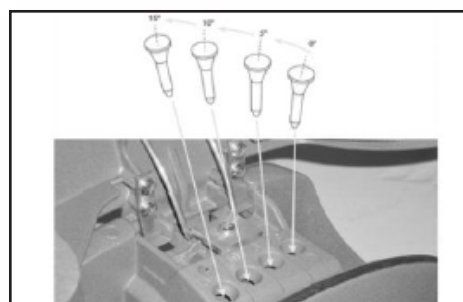
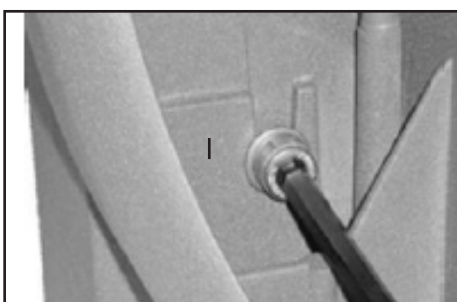
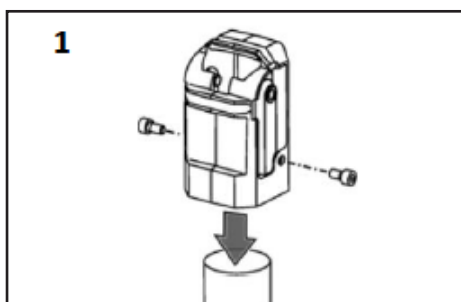


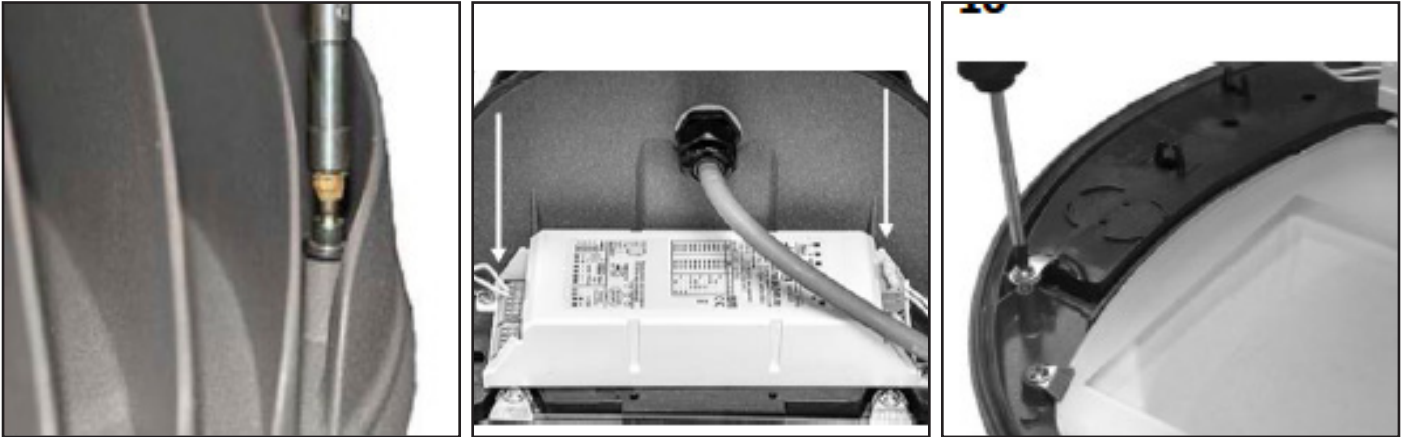
### INSTRUCTIONS

- a) Insert the hub on the pole or arm and tighten the two side screws maintaining it (Fig.1).
- b) Insert the main body into the hub and tighten the two side screws (Fig.2).
- c) To choose the desired angle between 0°, 5°, 10°, or 15° insert the supplied pin into one of the four slots (Fig. 3).
- d) The floodlight is already internally wired and needs to be connected to the mains via an external fast connector. A H05RN-F rubber cable or equivalent is recommended. If the power cord is damaged it must be replaced by qualified personnel (Fig. 4 & 5).
- e) Connect wires to the terminal block as indicated in Fig. 6.
- f) Before entering the wiring compartment be sure to unplug the power mains and remove the two screws located between the dissipation fins with special Allen tool (Fig. 7).
- g) To close the floodlight, release the block spring (Fig. 8).

### To remove the power supply:

- h) Disconnect the two power cables (Fig. 9).
- i) Loosen the screws and rotate the retention tabs (Fig. 10).





### IMPORTANT WARNINGS

Do not install the luminaire in areas without sufficient air circulation. The manufacturer cannot be considered liable for any damage caused by inappropriate use of the luminaire other than its manufactured purpose.

Luminaries must be installed by a qualified registered electrician only. Any misuse of the luminaire when power is activated may cause the risk of an electric shock.

The manufacturer does not accept any responsibility of any issues resulting from the non-compliance of the recommendations included in this instruction document. These instructions are issued as a guide to assist the installer to satisfactory conclusion.

The manufacturer reserves the right to change the design of this product without prior notice.

### WASTE DIRECTIVE

The European Directive 2002/96/EC on waste electrical and electronic equipment requires that electric and electronic devices must not be disposed of in the normal household waste. For correct disposal, please use authorized waste disposal facilities or return to the distributor at the date a new lighting fitting is purchased. Lamps, if disposed together with the lighting fitting, should not be broken up as they contain pollutants, which are harmful to the environment. Unauthorized disposal of the foregoing waste material is punishable by law.

